



"Your Direct source for Plant Maintenance, Reliability, Test & Measurement"

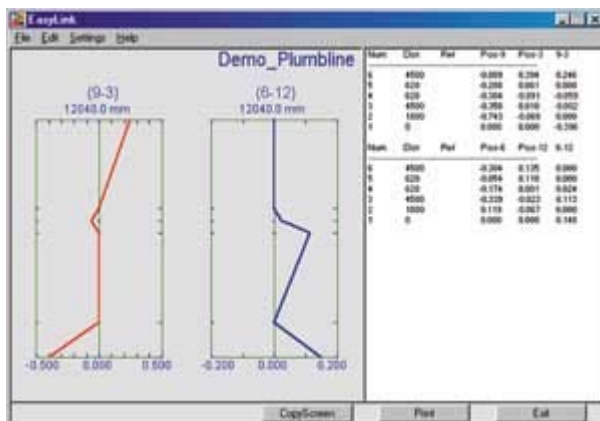
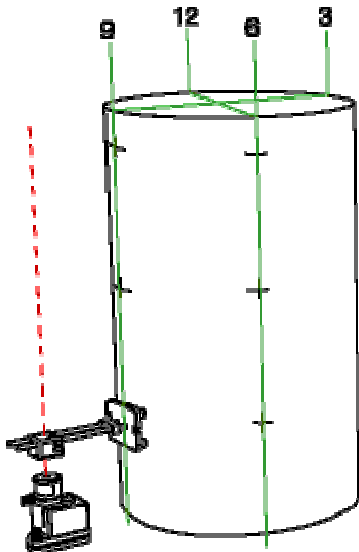
2911 S. Shore Blvd., Suite 170 League City, TX USA 77573 Tel: 281.957.9283 Fax: 281.334.4255

Applications

Plumb line

Measurement of straightness and center line relative to an absolute plumb line is done on for example turbine and generator shafts. The measurement program uses the self calibration that is performed when indexing the laser transmitter 180° (D22).

Plan the measurement by placing the laser transmitter at the first "side" of the shaft (9 o'clock). Record all measurement values along this side, then move the transmitter to the opposite side, 3 o'clock (indexing), and record values at points at the same height as before. After this, do the same for the other direction, 12 and 6 o'clock, to get the angle of the shaft.



Plumbline measurement (EasyLink™).